



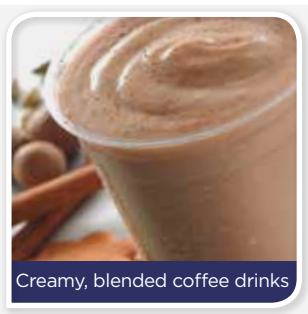
## T&G™ 2 BLENDING STATION®

### Powerful, Noise-Reduced Blending

The T&G 2 offers reduced sound and blending time. It quickly and easily creates smoothies, frappés, ice cream drinks and frozen cocktails.

### Smart Product Design

- ≈2 peak output HP motor and sound-reducing cover for superior performance in coffee, smoothie, and ice cream shops
- 34 optimized programs engineered to provide consistent results quickly and easily
- a dvance™ container creates faster, smoother pouring and has a longer blade life resulting in time and cost savings along with improved customer experience



Creamy, blended coffee drinks

## Product Specifications

### T&G™ 2 Blending Station\*

o n-Counter: item n.o. 42009 / in-Counter: item n.o. 44004

Motor: ≈2 peak output horsepower motor

electrical: 220 – 240 V, 50/60 Hz, 1075 – 1200 W

Pack: includes T&G 2 with 0,9 l high-impact, clear/stackable a dvance® container, complete with a dvance blade assembly and lid, and removable compact cover.\*

net Weight: 7,7 kg (8,6 kg with box)

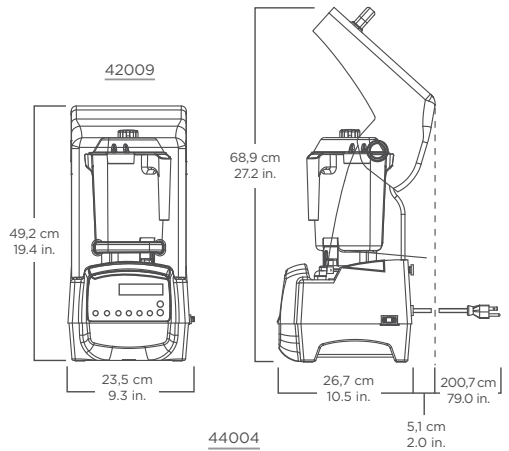
dimensions:

o n-Counter: 49,2 x 23,5 x 26,7 cm (H x W x d)  
Height with lid open: 68,9 cm

in-Counter: 38,1 x 22,9 x 26,7 cm (H x W x d)  
Height with lid open: 57,2 cm  
depth below counter: 14,4 cm

Warranty: Please contact your authorized Vitamix distributor for warranty information.

\* Standard 2,0 L container cannot be used with the compact cover.



### also available

T&G 2 Blending Station o n-Counter with a dvance Container  
item n.o. 34201: 120 V (eMC), 50/60 Hz, 11,5 a

item n.o. 46002: 100 V, 50/60 Hz, 900 W

T&G 2 Blending Station in-Counter with a dvance Container  
item n.o. 48001: 100 V, 50/60 Hz, 900 W

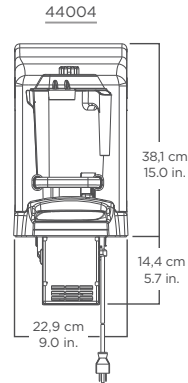
additional containers, complete with blade assembly and lid.

item n.o. 15981: a dvance container 0,9 l

item n.o. 15506: standard container 1,4 l

item n.o. 15640: compact container 0,9 l

For more information, please contact an authorized Vitamix distributor, or Vitamix international customer service.



Where applicable:



[www.kaapimachines.com](http://www.kaapimachines.com)

+91 7813 820830

[customer.support@kaapimachines.com](mailto:customer.support@kaapimachines.com)

#### NORTH

+91-7018231821

#### EAST

+91-7550074804

#### SOUTH

+91-9035067012

#### WEST

+91-8655055102

## Contact information

U.S.a., Canada & Latin America:

Tel: 800.4dRin K4 or  
440.235.0214

e-mail: [foodservice@vitamix.com](mailto:foodservice@vitamix.com)

outside of U.S.a., Canada &

Latin America:

Tel: +1.440.782.2450

e-mail: [international@vitamix.com](mailto:international@vitamix.com)

[www.vitamix.com/foodservice](http://www.vitamix.com/foodservice)

Vita-Mix Corporation  
8615 Usher Road  
Cleveland, OH 44138-2103 U.S.a.

For more information, contact your  
local foodservice distributor.